

Heathfield&Co

Product Specification Sheet

TABLE LAMP | GAIA AMBER



PRODUCT INFORMATION

Base Code: TL-GAIA-CHRO-AMBR

Material: Glass

Finish shown: Amber

Metalwork: Polished Chrome

Lampshade: 14" Oval / SH-14-OVAL

Flex: UK & EU 1.5 metres of Antique Gold twisted flex / US Black braided flex

TECHNICAL INFORMATION

Weight: 7.7kg / 17lbs

Plug: Black 13amp UK plug /

Black Schuko EU plug / Black US polarised plug

Switching: Black inline switch

Lamping: 1x E27 lampholder / 1x E26 US lampholder

60W max. LED lamps recommended.

Lamps not included

BASE HEIGHT: 220 mm / 8^{3/4}"

TOTAL HEIGHT: 435 mm / 17"

BASE WIDTH: 245 mm / 9^{3/4}"

SHADE WIDTH: 355 mm / 14"

UKCA / CE / UL COMPLIANT

WARRANTY

10 years*

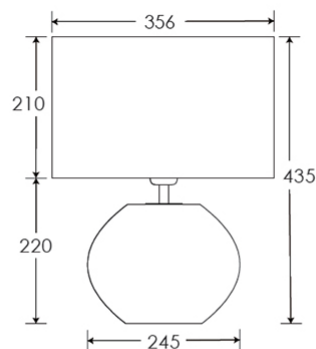
FINISHING NOTE

All our glasswork is hand blown and will vary from piece to piece - variations in form and proportion. Colour formation, pattern and finishing details are unique to each lamp and it is part of the charm that no two products are exactly the same.

CLEANING INSTRUCTIONS

The finishes on this luminaire only require regular cleaning with a soft dry duster. Abrasive or chemical cleaners may harm the finish and should not be used. Shade to be dusted with a clean dry cloth.

*Please refer to our Terms & Conditions for further information.



Dimensions in mm and approximate

H&
CO

LIGHT BEYOND DESIGN

Heathfield&Co

Product Specification Sheet

TABLE LAMP | GAIA SMOKE



PRODUCT INFORMATION

Base Code: TL-GAIA-CHRO-SMOK

Material: Glass

Finish shown: Smoke

Metalwork: Polished Chrome

Lampshade: 14" Oval / SH-14-OVAL

Flex: UK & EU 1.5 metres of Black twisted flex /
US Black braided flex

TECHNICAL INFORMATION

Weight: 7.7kg / 17lbs

Plug: Black 13amp UK plug /

Black Schuko EU plug / Black US polarised plug

Switching: Black inline switch

Lamping: 1x E27 lampholder / 1x E26 US lampholder
60W max. LED lamps recommended.

Lamps not included

BASE HEIGHT: 220 mm / 8^{3/4}"

TOTAL HEIGHT: 435 mm / 17"

BASE WIDTH: 245 mm / 9^{3/4}"

SHADE WIDTH: 355 mm / 14"

UKCA / CE / UL COMPLIANT

WARRANTY

10 years*

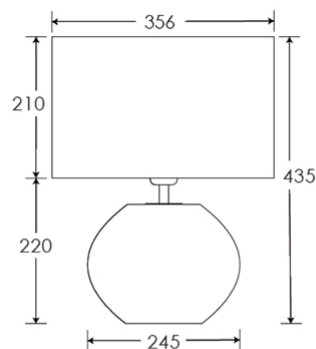
FINISHING NOTE

All our glasswork is hand blown and will vary from piece to piece - variations in form and proportion. Colour formation, pattern and finishing details are unique to each lamp and it is part of the charm that no two products are exactly the same.

CLEANING INSTRUCTIONS

The finishes on this luminaire only require regular cleaning with a soft dry duster. Abrasive or chemical cleaners may harm the finish and should not be used. Shade to be dusted with a clean dry cloth.

*Please refer to our Terms & Conditions for further information.



Dimensions in mm and approximate

H&
CO

LIGHT BEYOND DESIGN

Heathfield&Co

Product Specification Sheet

TABLE LAMP | GAIA VELVET BLUE



PRODUCT INFORMATION

Base Code: TL-GAIA-CHRO-BLUE

Material: Glass

Finish shown: Velvet Blue

Metalwork: Polished Chrome

Lampshade: 14" Oval / SH-14-OVAL

Flex: UK & EU 1.5 metres of Old Silver twisted flex /
US Old Silver braided flex

TECHNICAL INFORMATION

Weight: 7.7kg / 17lbs

Plug: Black 13amp UK plug /

Black Schuko EU plug / Black US polarised plug

Switching: Black inline switch

Lamping: 1x E27 lampholder / 1x E26 US lampholder
60W max. LED lamps recommended.

Lamps not included

BASE HEIGHT: 220 mm / 8^{3/4}"

TOTAL HEIGHT: 435 mm / 17"

BASE WIDTH: 245 mm / 9^{3/4}"

SHADE WIDTH: 355 mm / 14"

UKCA / CE / UL COMPLIANT

WARRANTY

10 years*

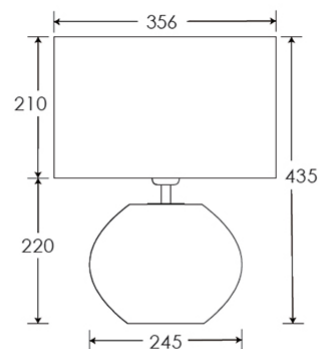
FINISHING NOTE

All our glasswork is hand blown and will vary from piece to piece - variations in form and proportion. Colour formation, pattern and finishing details are unique to each lamp and it is part of the charm that no two products are exactly the same.

CLEANING INSTRUCTIONS

The finishes on this luminaire only require regular cleaning with a soft dry duster. Abrasive or chemical cleaners may harm the finish and should not be used. Shade to be dusted with a clean dry cloth.

*Please refer to our Terms & Conditions for further information.



Dimensions in mm and approximate

H&
CO

LIGHT BEYOND DESIGN