

Heathfield&Co

Product Specification Sheet

TABLE LAMP | ANDRO



PRODUCT INFORMATION

Base Code: TL-ANDR-ABRS-BLCK

Material: Metal

Finish shown: Satin Black

Metalwork: Antique Brass

Lampshade: 6" Tall French Drum / SH-06-TFRD

Flex: UK & EU 1.5 metres of Black PVC cable /

US Black PVC cable

TECHNICAL INFORMATION

Weight: 2.6kg / 5.7lbs

Plug: Black 13amp UK plug /

Black Schuko EU plug / Black US polarised plug

Switching: Black inline switch

Lamping: 1x E14 lampholder / 1x E26 US lampholder

60W max. LED lamps recommended.

Lamps not included

BASE HEIGHT: 480 mm / 19"

TOTAL HEIGHT: 480 mm / 19"

BASE WIDTH: 155 mm / 6"

SHADE WIDTH: 155 mm / 6"

UKCA / CE / UL COMPLIANT

WARRANTY

10 years*

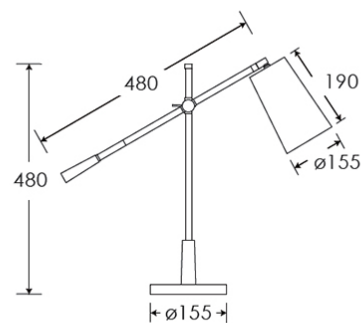
FINISHING NOTE

All metalwork is handcrafted and may vary from piece to piece with slight variation in finish and detailing.

CLEANING INSTRUCTIONS

The finishes on this luminaire only require regular cleaning with a soft dry duster. Abrasive or chemical cleaners may harm the finish and should not be used. Shade to be dusted with a clean dry cloth.

*Please refer to our Terms & Conditions for further information.



Dimensions in mm and approximate
This product is adjustable

H&
CO

LIGHT BEYOND DESIGN